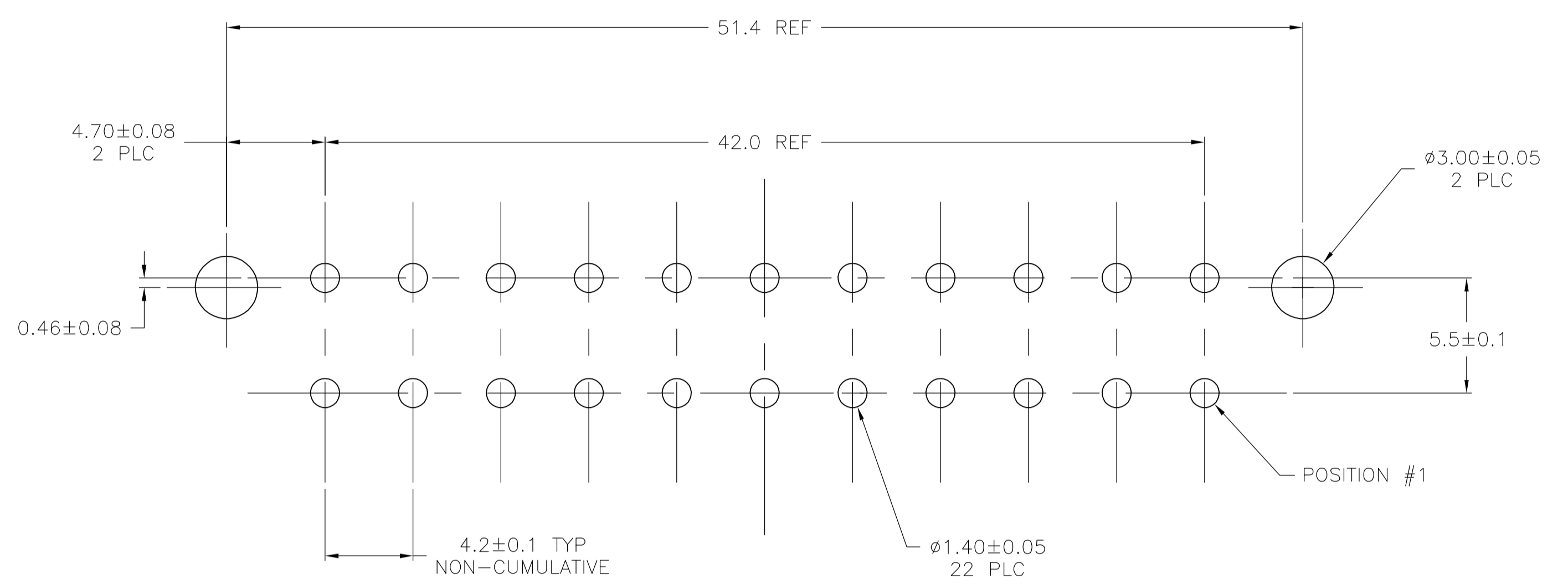
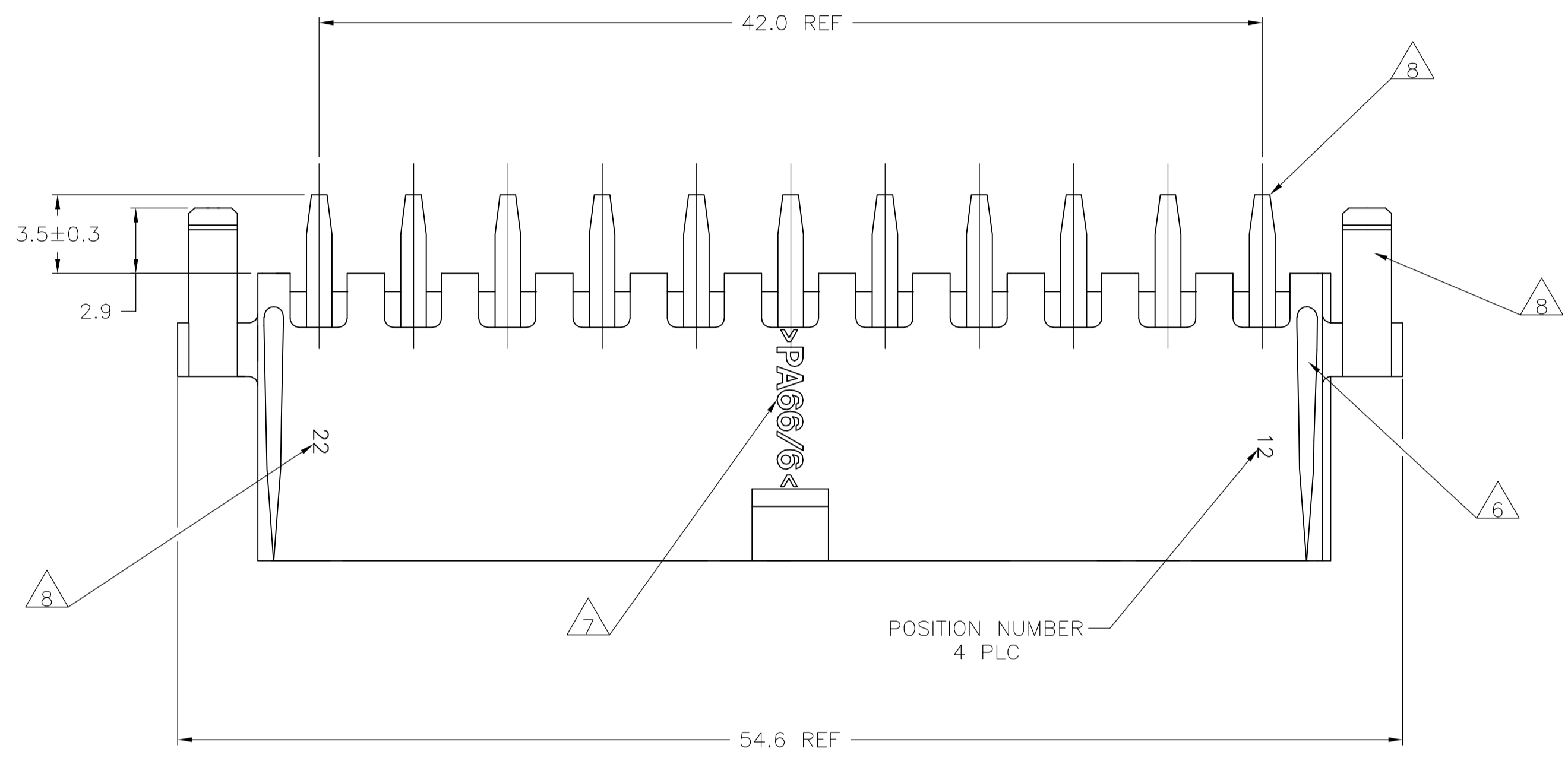
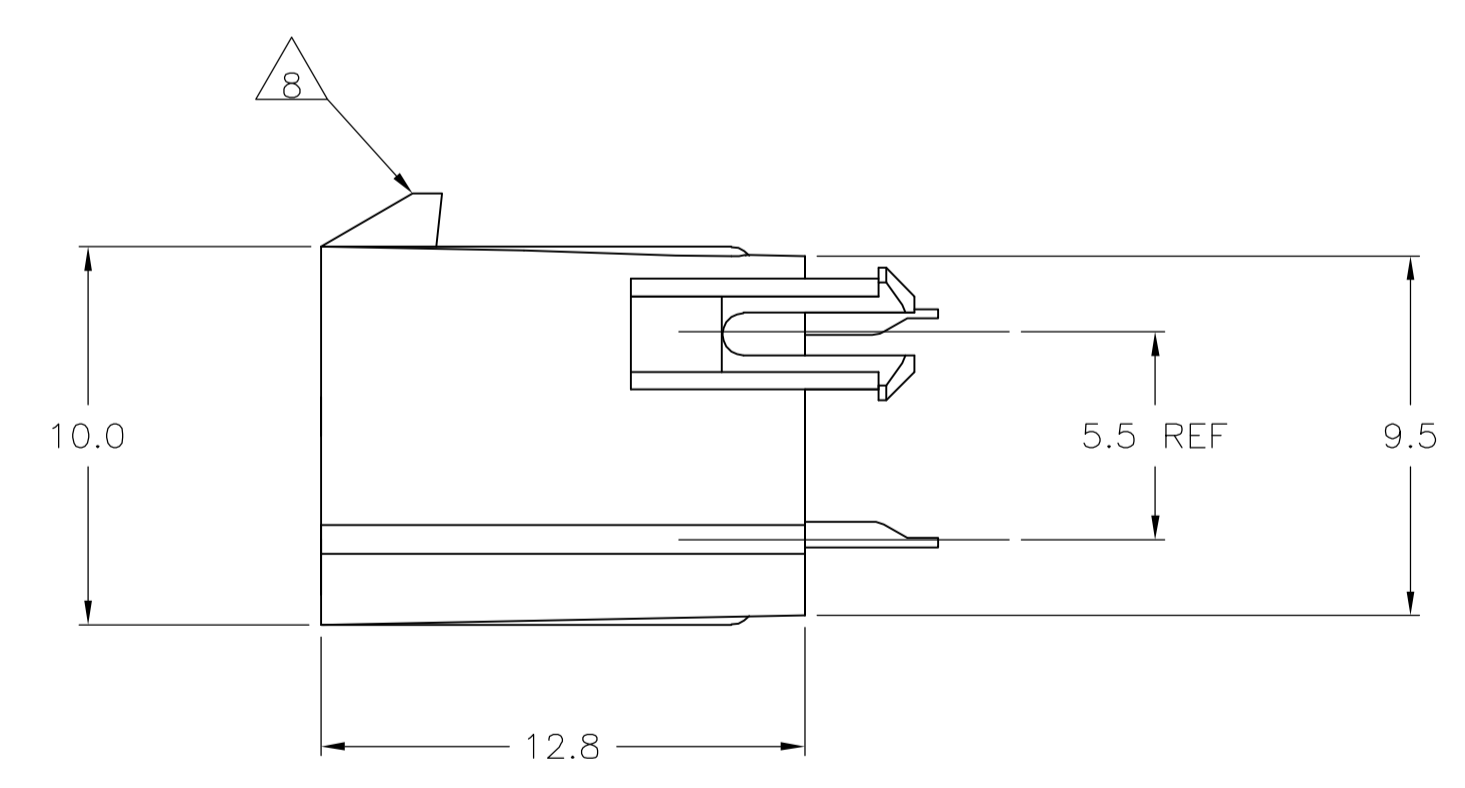
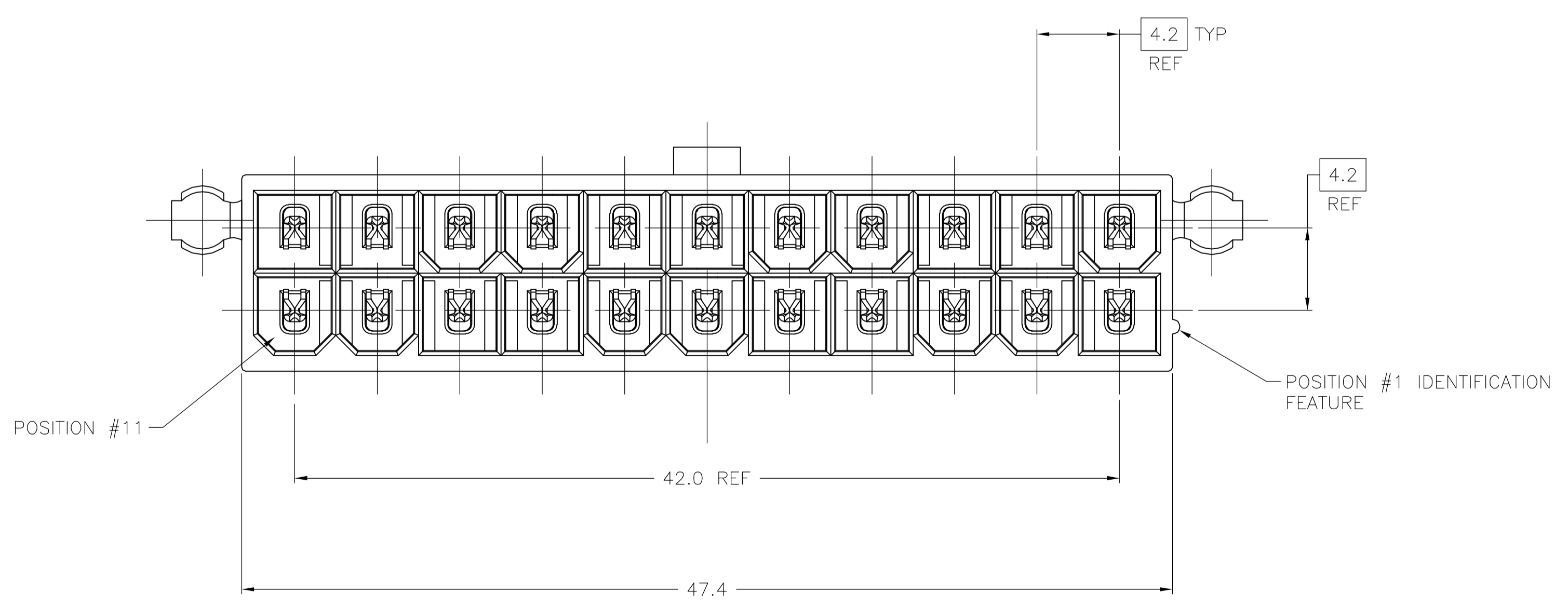


- 1 MATERIAL:
HOUSING: NYLON, UL94V-0 (COLOR - NATURAL, COLOR OF PARTS MAY VARY).
CONTACTS: 0.25 THK COPPER ALLOY.
- 2 CONTACT FINISH: 0.003 MIN THK TIN-LEAD OVER 0.00127 MIN THK NICKEL OVER ENTIRE CONTACT.
- 3 CONTACT FINISH: 0.00076 MIN THK GOLD PLATE ON PIN MATING SURFACE, 0.003 MIN THK TIN-LEAD PLATE ON SOLDER TAIL, ALL OVER 0.00127 MIN THK NICKEL BASE PLATE.
- 4. SOLDER TAIL MEETS AMP SOLDERABILITY SPECIFICATION 109-11-2..
- 5. MATES WITH SIMILARLY PLATED AMP-DUAC™ POWER CONNECTOR RECEPTACLE HOUSINGS/SOCKET CONTACTS
- 6 RIBS ON FOUR CORNERS OPTIONAL.
- 7 AMP LOGO AND MATERIAL ID MAY BE LOCATED ON EITHER LONG SIDE OF PART.
- 8 SIZE, SHAPE OR STYLE OF THIS FEATURE MAY VARY.
- 9 CONTACT FINISH: 0.003 MIN THK TIN OVER 0.00127 MIN THK NICKEL OVER ENTIRE CONTACT.
- 10 CONTACT FINISH: 0.00076 MIN THK GOLD PLATE ON PIN MATING SURFACE, 0.003 MIN THK TIN PLATE ON SOLDER TAIL, ALL OVER 0.00127 MIN THK NICKEL BASE PLATE.



COMPONENT SIDE SHOWN
 RECOMMENDED MOUNTING HOLE PATTERN
 FOR 1.78 MAX THICK P.C. BOARD



	1	10	1	1	1-794471-2
	1	9	1	1	1-794471-1
SUPERCEDED BY 1-794471-2	1	3	1	1	794471-2
SUPERCEDED BY 1-794471-1	1	2	1	1	794471-1

CONTACT		HOUSING		PART NO.
MATERIAL	FINISH	MATERIAL	COLOR	
SEE TABLE	SEE TABLE			

THIS DRAWING IS A CONTROLLED DOCUMENT.		DIN R VESTAL DBJUN98	Tyco Electronics Corporation	
DIMENSIONS: mm		CHK R SWING DBJUN98	Harrisburg, Pa 17105-3608	
TOLERANCES UNLESS OTHERWISE SPECIFIED:		APVD C CASH DBJUN98	NAME	
0 PLC ± -	1 PLC ± 0.2	PRODUCT SPEC		
2 PLC ± 0.13	3 PLC ± -	108-1699		
4 PLC ± -	ANGLES ± 0.30°	APPLICATION SPEC		
MATERIAL		SIZE	CAGE CODE	DRAWING NO
SEE TABLE		WEIGHT	A1	00779
		CUSTOMER DRAWING		SCALE 5:1 SHEET 1 OF 1 REV E